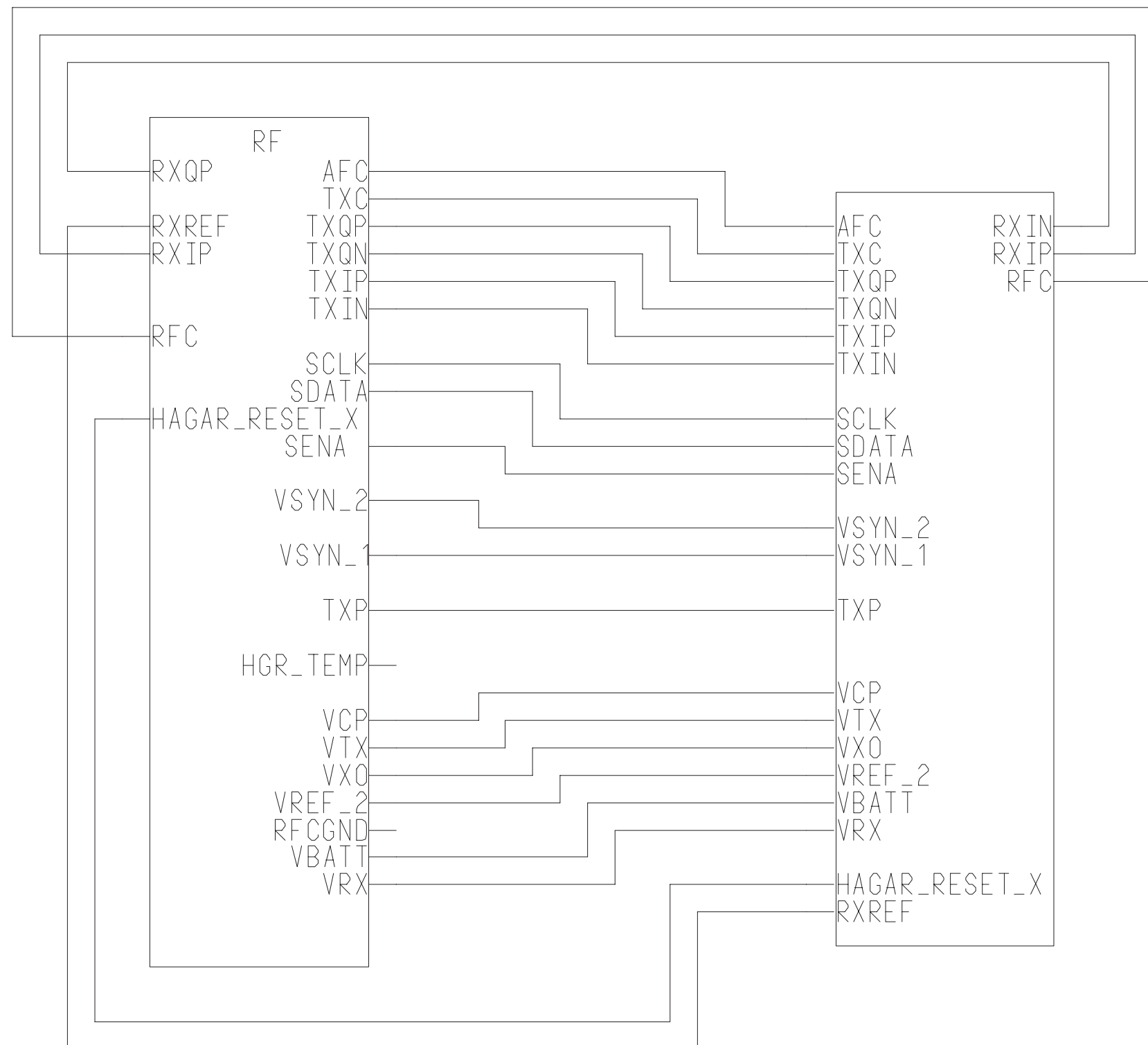


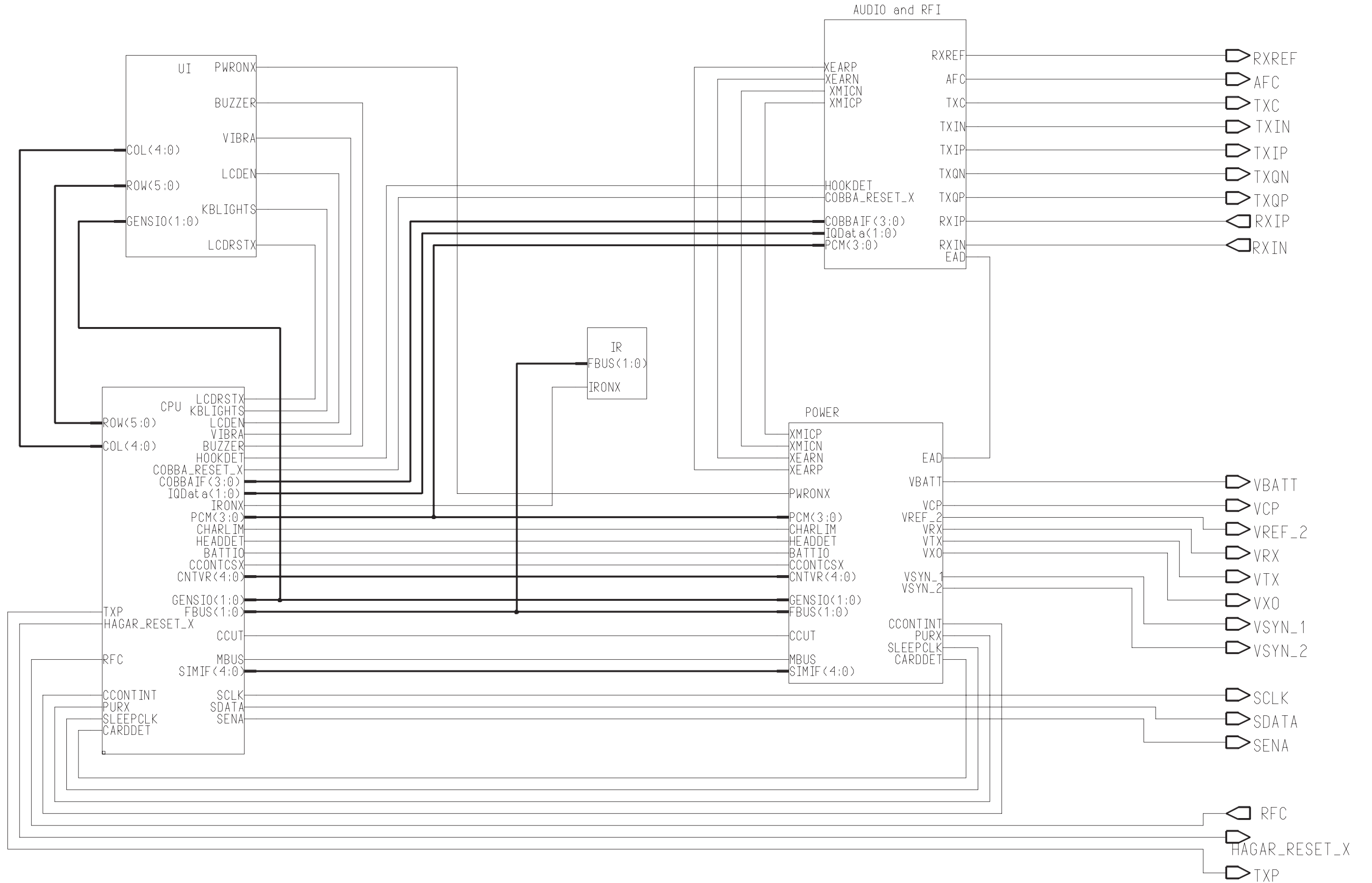
**Connection between RF and Baseband modules** (Version 1110 Edit 16) for layout version 11

RF

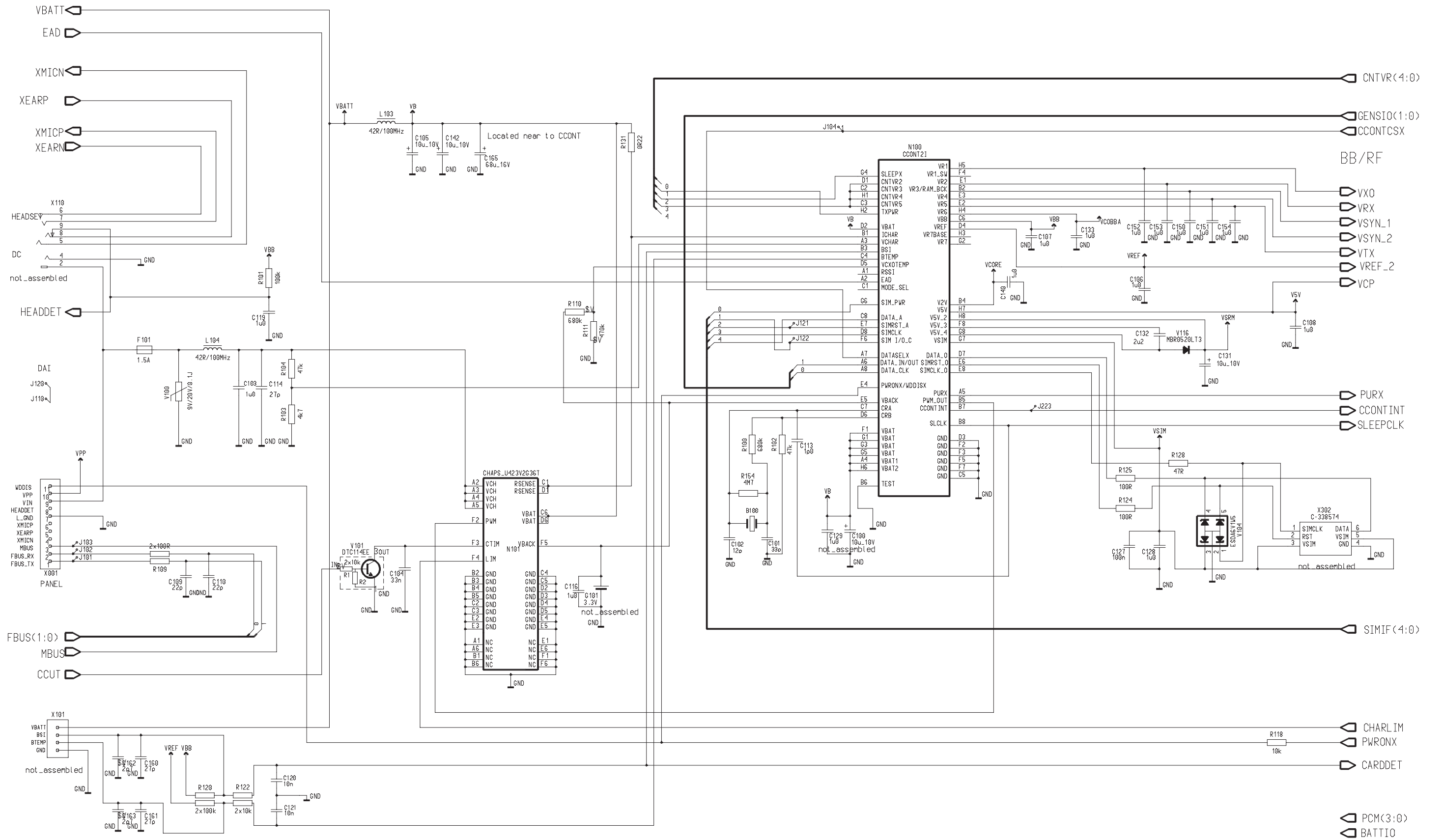
BASEBAND



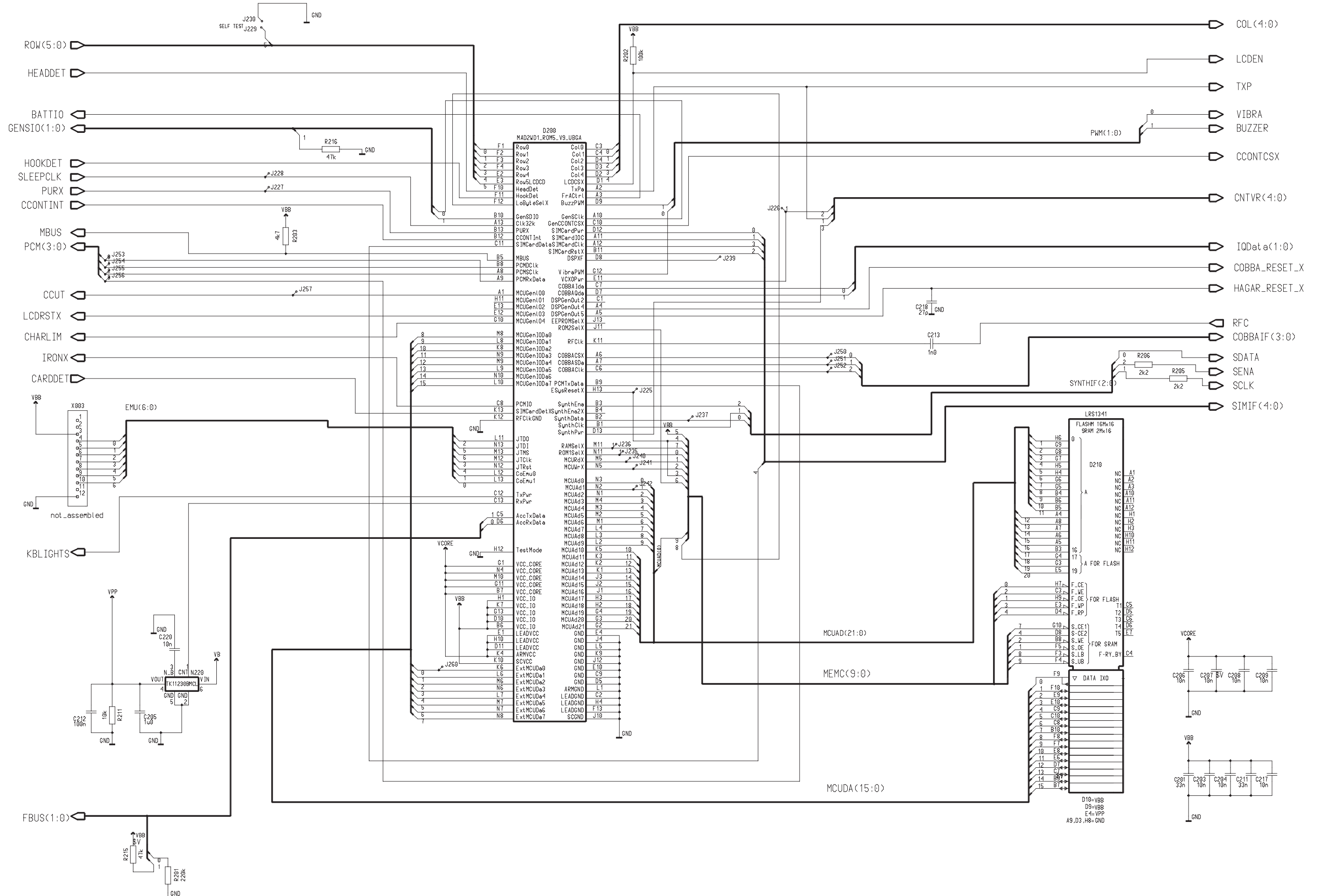
**Baseband Block Interconnections** (Version 1110 Edit 11) for layout version 11



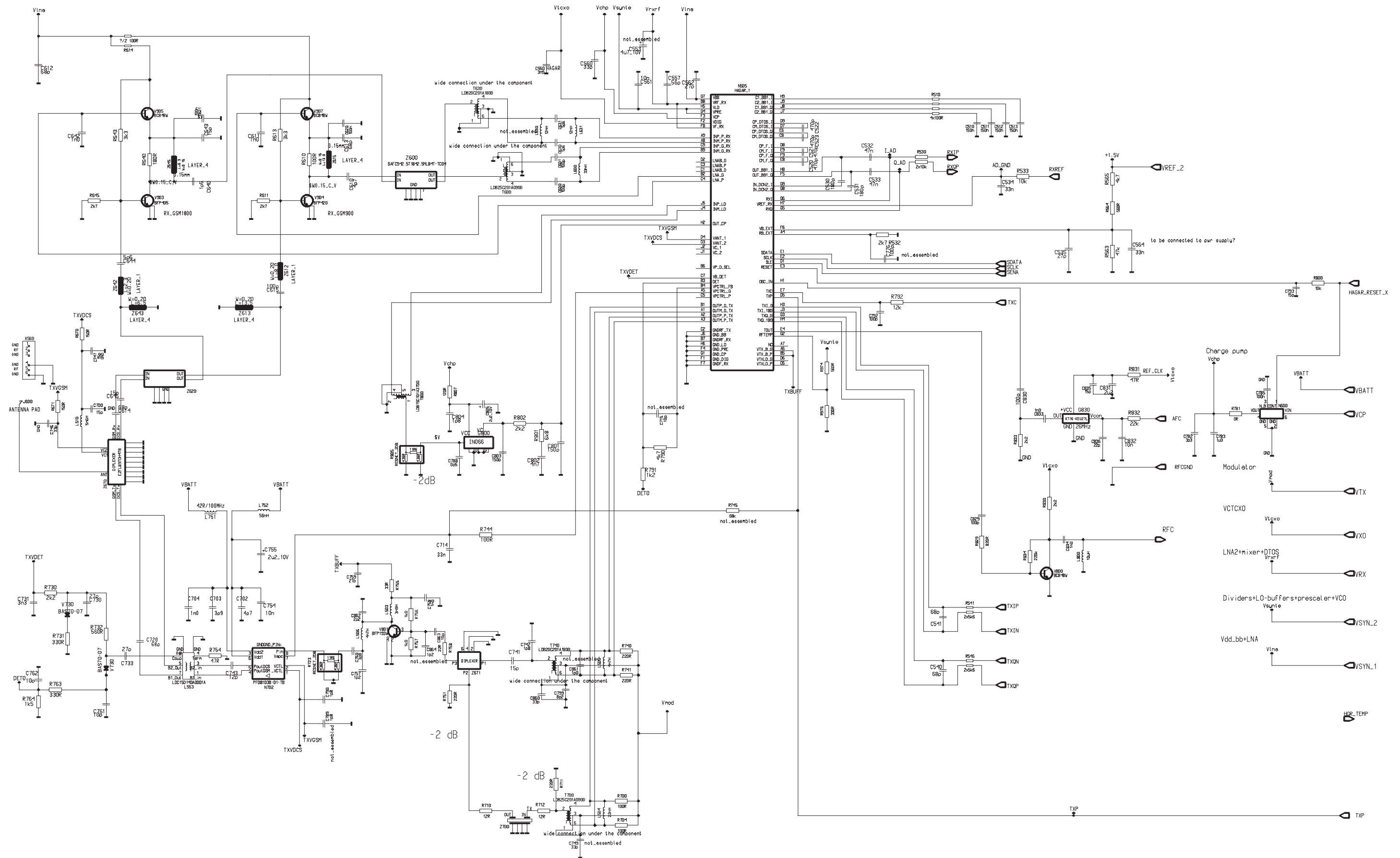
**Circuit Diagram of Power Supply** (Version 1110 Edit 17) for layout version 11



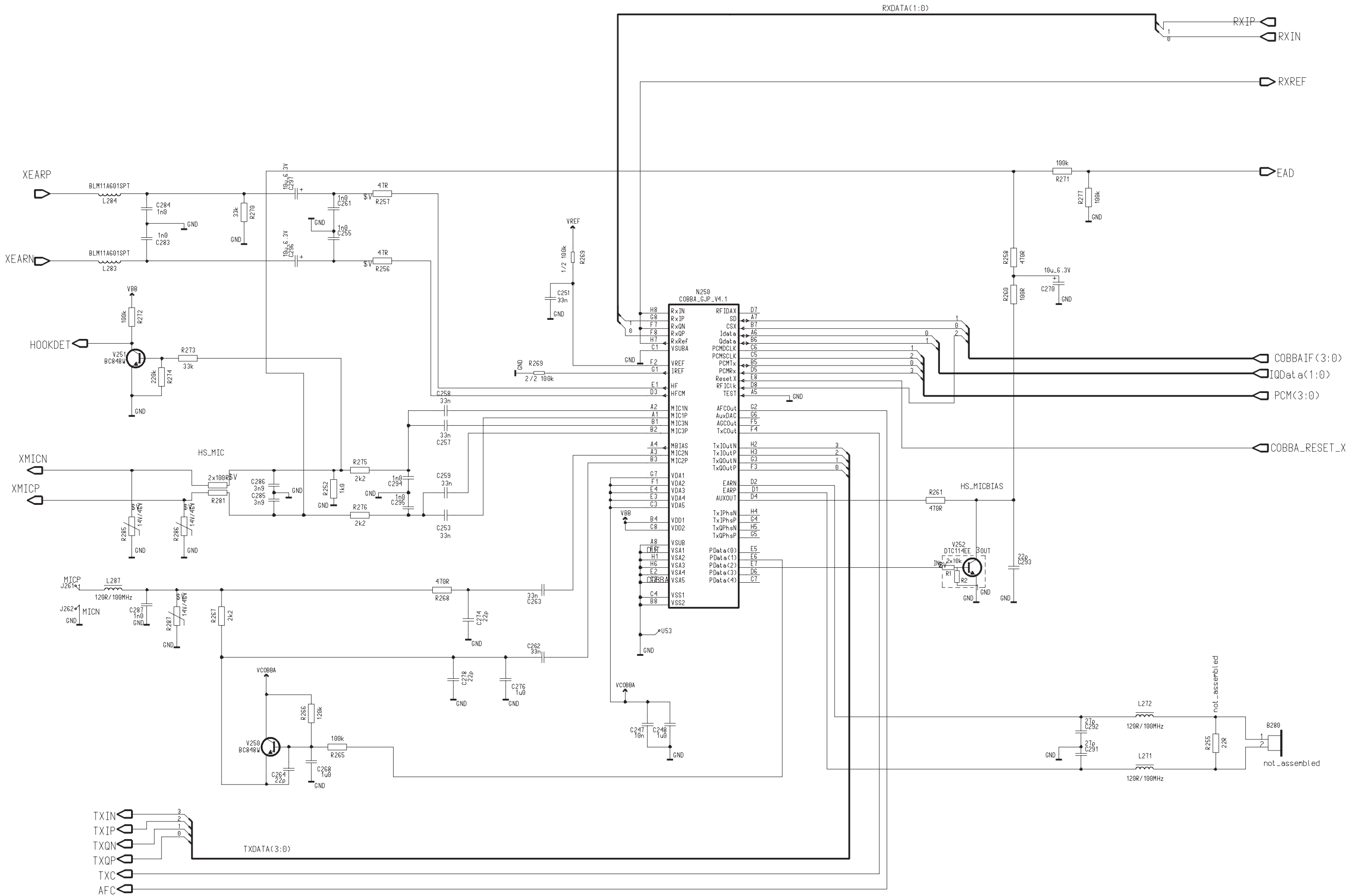
**Circuit Diagram of CPU Block** (Version 1110 Edit 12) for layout version 11



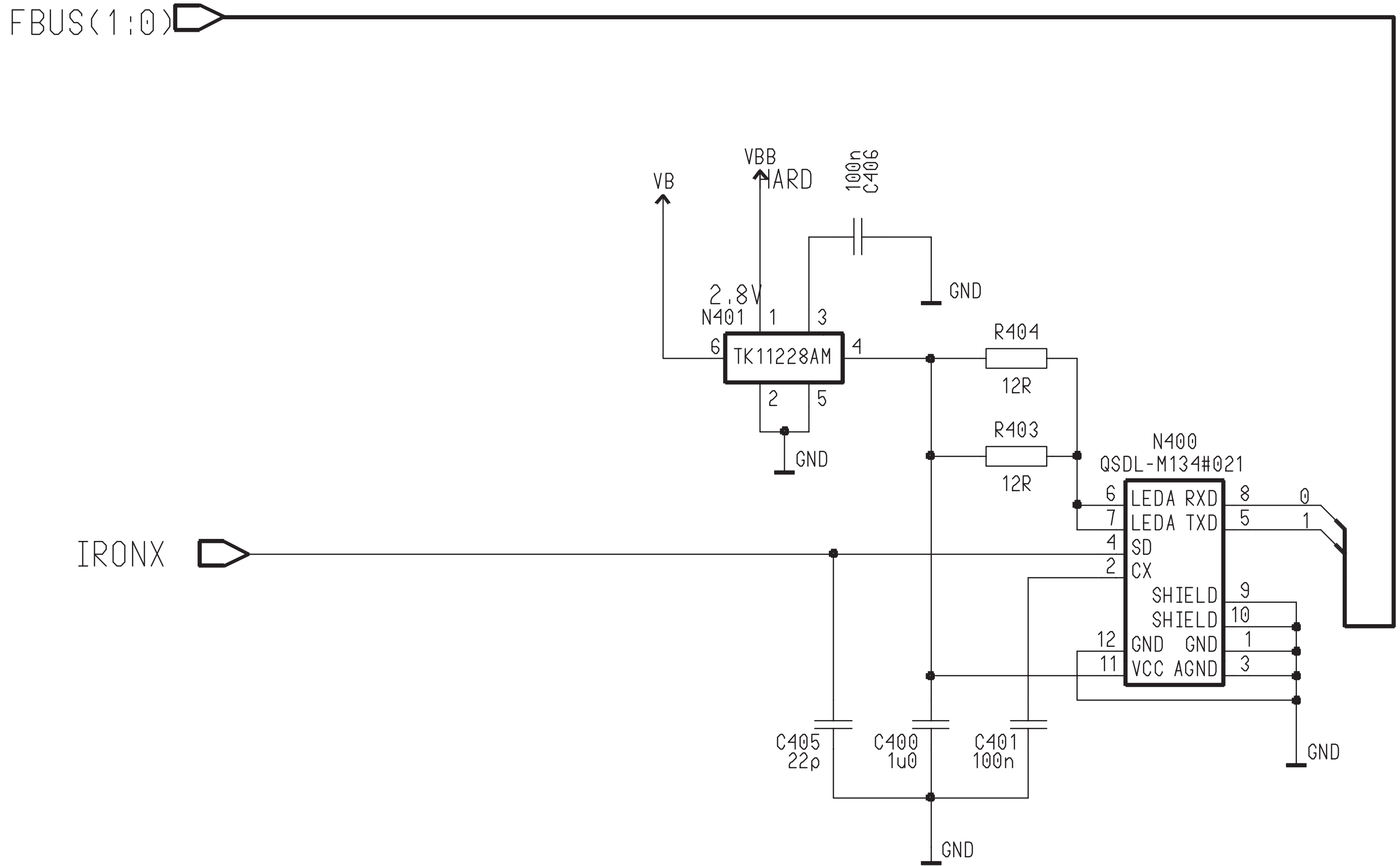
Circuit Diagram of RF Block (Version 1110 Edit 28) for layout version 11



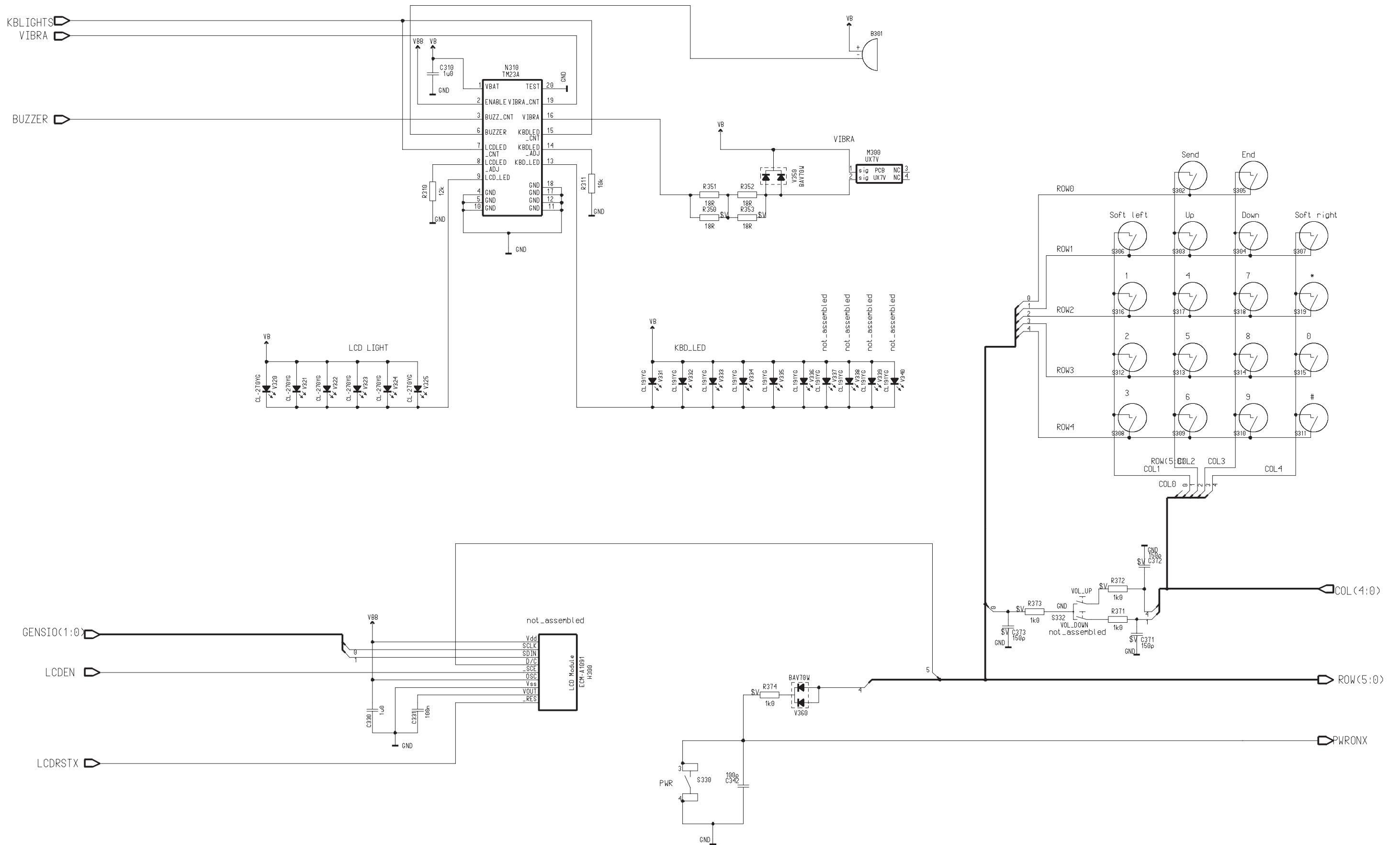
Circuit Diagram of Audio and RFI (Version 1110 Edit 15) for layout version 11



**Circuit Diagram of IR Module** (Version 1110 Edit 10) for layout version 11

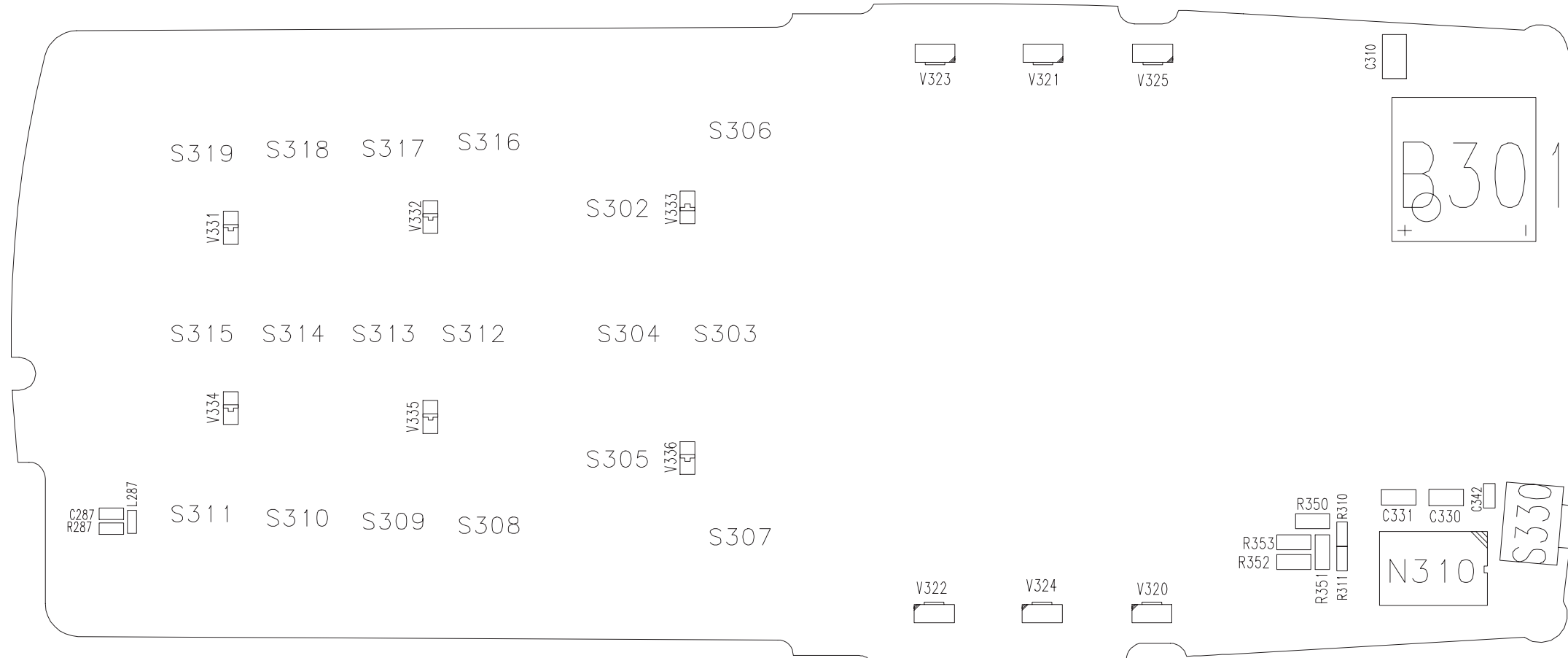


**Circuit Diagram of UI** (Version 1110 Edit 412) for layout version 11

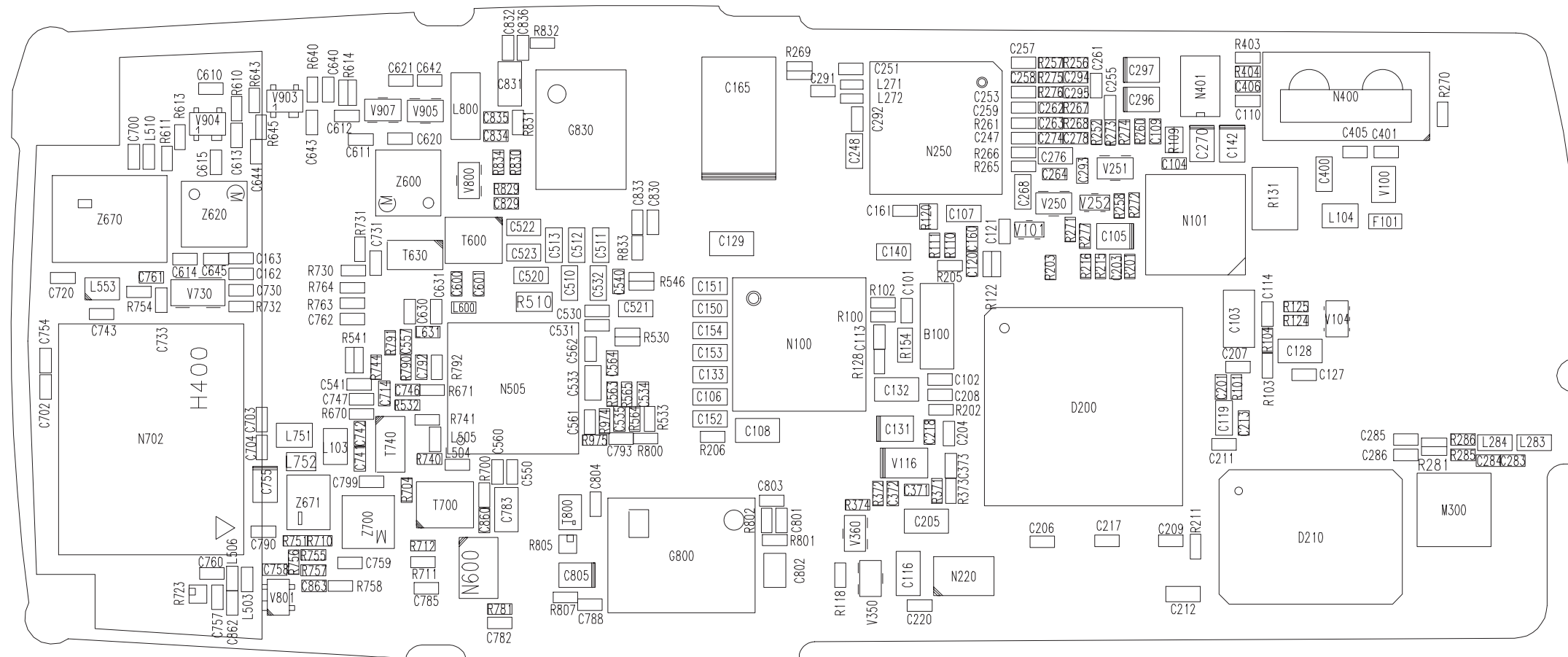




**Layout Diagram of RM7L – Top** (Version 11)



**Layout Diagram of RM7L – Bottom** (Version 11)



Testpoints of RM7L – Top (Version 0x)

Testpoints of RM7L – Bottom (Version 11)

